

# HTS VACUUM FILLER

The control panel displays the following settings for 'P1: WIENER':

Parameter	Value
Tempo	45 [%]
Gewicht	70 [g]
Pause	50 [ms]
Drehung	3
1. Portion	3 [g]
Rücksaugung	10 [g]
Voreilung	0 [g]
zusätzliche Drehung	1
gefüllt	0 [Stk]
Aufleistung	0 [%]

Additional controls include buttons for VAC, AUT, and Menu, along with up and down arrow buttons.

**HTS 250**



**individual  
&  
reliable**

# HTS VAKUUM FILLER

**for small-scale producers up to  
performance-oriented industrial enterprises**

The development and design of our machines is based on the latest findings in the field of vacuum technology, know-how regarding state-of-the-art control and drive systems and on many years of practical experience. The use of high-quality materials is a matter of course for us, as our aim is to produce durable, powerful and efficient machines and equipment. The market demands high-grade, reliable vacuum fillers that allow economical production. Our new series of machines effortlessly meets all these requirements. Design and construction of our machines comply with continuously rising hygiene standards and the demands for simple and efficient cleaning.

## **HTS conveying system ensures exact portion control**

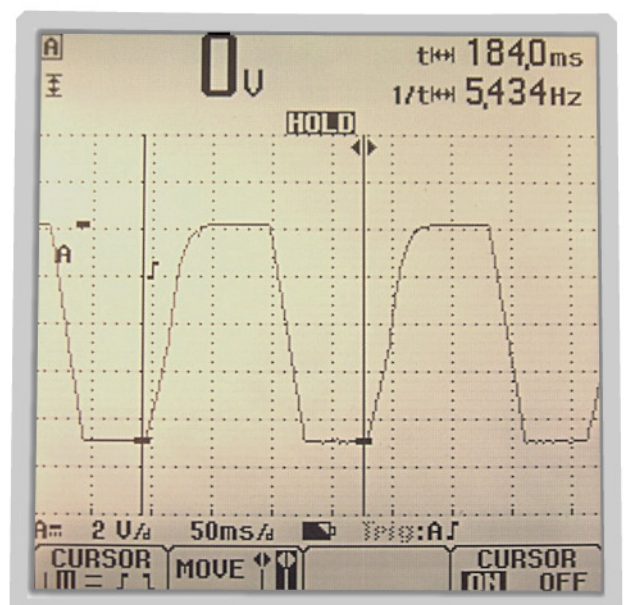
The design of the HTS conveying system ensures a careful and gentle transportation of the stuffing without impairing the quality. This results in top-quality products with an even slice appearance. The use of high-grade stainless steel and precision manufacturing allow us to meet high performance requirements. The hardened materials used for the HTS conveying mechanism guarantee long-term durability and minimal wear.



## **User-friendly computer technology**

The newly developed *HTS Touch Screen* is very comfortable and easy to operate with its clear symbolic language. All programme settings can be changed quickly and easily, which contributes to an efficient production process. The number of units produced and the weight of the material conveyed are recorded, providing the manufacturer with information on daily, monthly, yearly and total machine output. Another new feature is the continuously adjustable acceleration ramp of the drive motor. This optimization results in a careful and gentle feeding process and increases productivity even if inferior natural casings are used. Safety shutdowns and error messages from the digital drive system are displayed and troubleshooted.

A USB interface allows users to import and export parameters and install customer-specific software and hardware. The HTS industrial PC is based on *Windows CE 6.0*. An *ethernet interface* for integrating the machine into a company's internal computer network is optionally available.



# HTS 95

for modern enterprises

The HTS 95 was specifically designed for the requirements of a craft business. By minimizing the residual quantity in the hopper manufacturers can change between different products quickly and efficiently and produce a large variety of products. This is achieved by the use of a powerful vacuum pump, a specially shaped feeder curve in the hopper and the smooth passage to the conveying system. The compact conveying mechanism further enhances the machine's efficiency. The wear-resistant materials used for the conveying mechanism guarantee long durability and are able to meet high-performance requirements. The HTS 95 features a 90-liter tiltable hopper as standard equipment to ensure quick filling and easy cleaning. Various accessory devices and clip machines can be controlled via an optional signal connector.



## Special features of HTS 95:

- compact and robust construction
- efficient operation
- minimal residue
- easy change of products
- ergonomic design
- modern touch-screen-control
- high precision of portioning



### Rotor

diameter : 120mm  
number of vanes : 10

# HTS 150

**the dynamic allrounder**

The HTS 150 is a versatile machine designed for individual applications. It is ideally suited for companies which offer a wide range of products and have to work efficiently.

This is achieved by a specially designed conveying system that guarantees a constant filling process with minimized residual quantities. This is further complemented by a dynamic and powerful servo drive. The hardened materials used for the conveying mechanism meet high requirements and guarantee long durability.

Various accessory devices and clip machines can be controlled via an optional signal connector.



## **Special features of HTS 150:**

- efficient operation**
- minimal residue**
- easy change of products**
- high precision of portioning**
- compact construction**

## **standard equipment:**

- + 250 litre fold-away hopper**
- + signal-socket for attachments or clipping machines**
- + modern touch-screen-control**



### **Rotor**

diameter : 150 mm  
number of vanes: 14

# HTS 250

for large companies  
with high standards

The HTS 250 has been specially designed to meet the economic needs and requirements of large producers. The conveying mechanism, which is made of wear-resistant stainless steel, ensures long-term portioning precision and a high output.

The performance curve is enhanced by the *HTS power drive*, in particular for cold masses.

The use of a *high-speed servo system* further increases the output of the machine.

Another feature of the machine is the special feeding mechanism into the conveying system which minimizes the residual quantities remaining in the hopper.



## Special features of HTS 250:

- high production output
- high-speed linking system
- easy change of products
- high precision of portioning
- high performance reserves

## standard equipment:

- + 250 litre fold-away hopper
- + signal-socket for attachments or clipping machines
- + modern touch-screen-control



### Rotor

diameter : 180 mm  
number of vanes: 16

# HTS 450

for performance-oriented industrial enterprises

The HTS 450 was specifically designed for the high performance requirements of industrial enterprises, for which a high output and exact portioning are of great significance. By using a rotor with blind vanes, large pieces of meat can be conveyed carefully and gently without impairing their quality.

In this way, top-quality products with an even slice appearance can be produced. Only the best materials are used for the machine, in particular for the conveying system, to ensure long durability, even in companies running two or three shifts.

The dynamic *HTS power drive* has sufficient power reserves, even for compact and frozen masses. An additional servo motor for the feeder drive in the hopper further increases performance. An efficient vacuum pump ensures a constant feeding of the conveying system and maximum evacuation. The *high-speed twisting device* further increases the output.



## Special features of HTS 450:

- high production output
- high-speed linking system
- large vane cells
- high precision of portioning
- high performance reserves

## standard equipment:

- + 350 litre fold-away hopper
- + signal-socket for attachments or clipping machines
- + modern touch-screen control



### Rotor

diameter: 220 mm  
number of vanes: 20/10

# HTS - OPTIONS:

## **Mast-type hoisting device**

Is attached to the machine body by screws and can be retrofitted easily. Trolleys can be loaded from the back side or from the operator side.

## **Sausage casing holding device HV395**

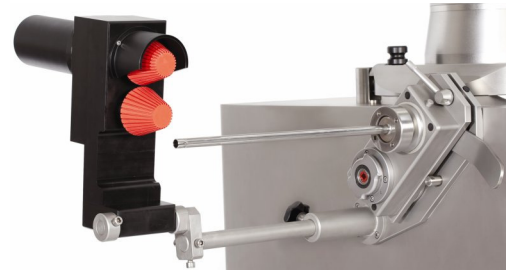
Carefully and gently twists all types of natural sausage casings, collagen casings and peelable cellulose casings, into links. A quick fastener enables operators to change between different products easily.

Tube diameter : 8 - 25 mm



## **Sausage casing applier R2**

Increases production efficiency for sausages with natural casings. The pneumatic drive allows the casings to be drawn gently over any stuffing horn. The device is installed quickly and easily.



## **Form cutter FS40**

For the efficient manufacturing of products with an exact length, e.g. Cevapcici sausages. Shape and size are determined by easily exchangeable inserts.

Portioning speed: 250 portions/min.



## **All-purpose conveyor belt UTB300**

This conveyor belt has a continuously adjustable drive and can be operated both forwards and backwards up to 0,5 m/sec.

The mobile UTB300 is adjustable in height and inclination.

Inclination : max. 30°

Dimensions of the belt : 300 x 1075 mm

Special dimensions upon request



## **UTB300 with belt attachment**

The form of different products can be varied by a height adjustment mechanism



# Technical data

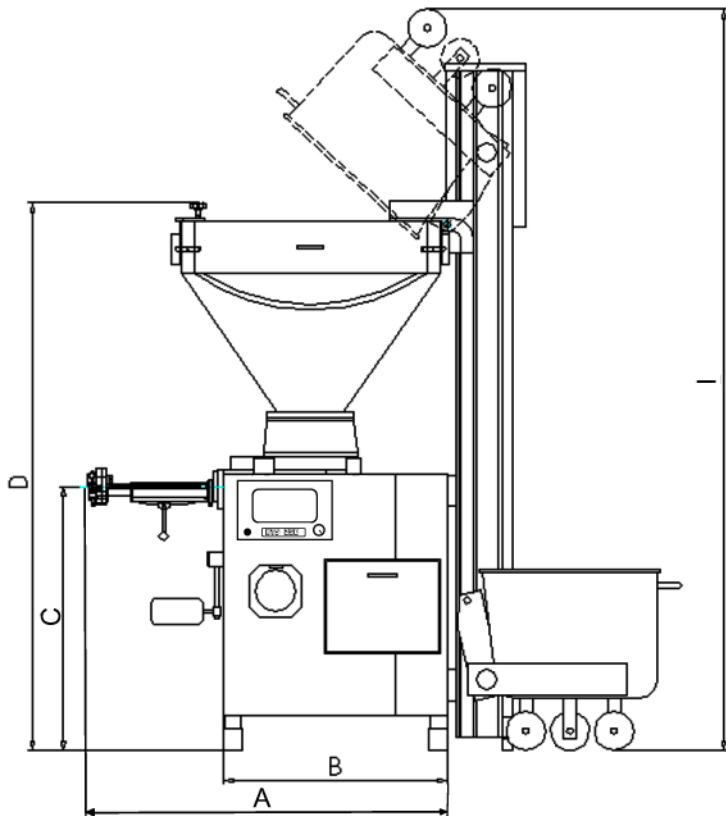
## HTS 95

## HTS 150

## HTS 250

## HTS 450

<b>Filling capacity</b>	3000 kg/h	3600 kg/h	5800 kg/h	10000 kg/h
<b>Filling pressure</b>	35 bar	35 bar	50 bar	45 bar
<b>Hopper capacity</b>	95 litres	250 litres	250 litres	350 litres
<b>Port.performance</b>				
<b>30 g</b>	400 port./min.	450 port./min.	500 port./min.	530 port./min.
<b>70 g</b>	340 port./min.	380 port./min.	440 port./min.	480 port./min.
<b>100 g</b>	280 port./min.	320 port./min.	370 port./min.	410 port./min.
<b>Portion weight</b>	1 - 100.000 g	1 - 100.000 g	1 - 100.000 g	1 - 100.000 g
<b>Conected load</b>	4,2 kw	7,5 kw	12 kw	18 kw
<b>Net weight</b>	340 kg	460 kg	630 kg	740 kg



## Dimensions [mm]

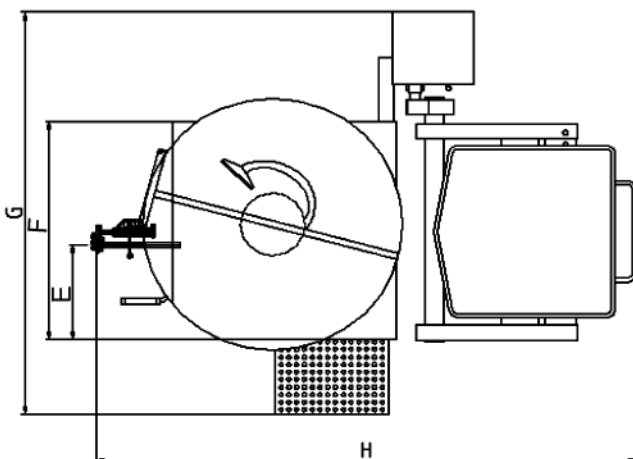
### HTS 95

### HTS 150

### HTS 250

### HTS 450

A	1090	1250	1330	1430
B	540	700	780	870
C	1040	1040	1040	1040
D	1710	2040	2000	2120
E	200	270	280	300
F	700	840	950	960
G	---	1460	1680	1690
H	---	2210	2290	2390
I	---	2920	2920	2920



## HTS Fleischereimaschinen

Reparatur und Handel Ges.m.b.H.  
Mondseer Strasse 14  
AT - 5303 Thalgau

**Phone** +43(0)6235/20293

**Fax** +43(0)6235/20295

**E-Mail** office@hts-fueller.at

**Web** www.hts-fueller.at

Right of design modifications reserved.  
Sentence- and misprints reserved.